



**RadioPopper RPCube
Owner's Manual**

RadioPopper is owned by Leap Devices, LLC in Vancouver, WA. This product was designed, produced, and manufactured in the USA.

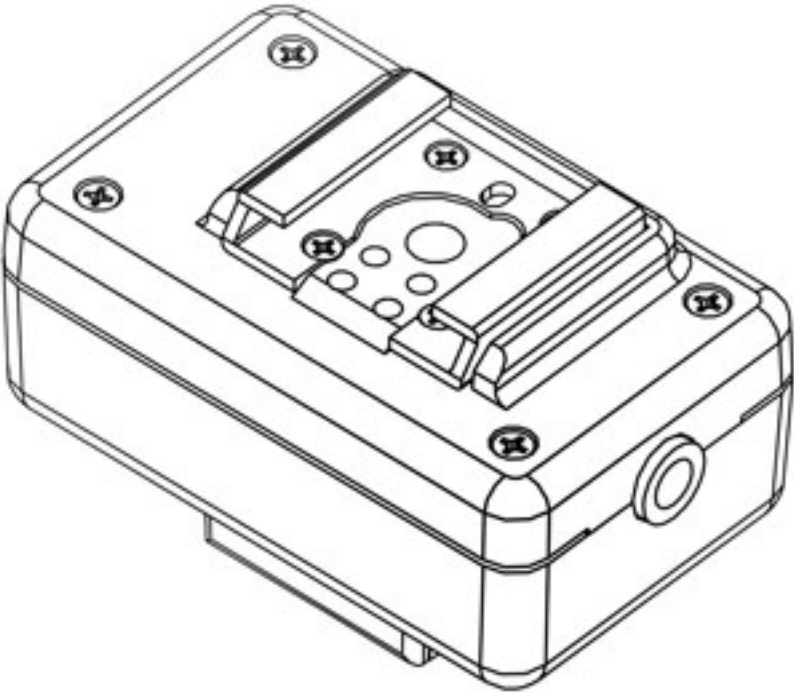


Table of Contents

PRODUCT PATENT(S) PENDING

Introduction	4
Specifications and Warnings	7
Installation	8
Trouble Shooting	12
Limited Warranty	13

Introduction

Thank you for your purchase of the RadioPopper RPCube. We hope you'll find this component to be a valuable tool in your creative lighting, giving you flexibility and control never before possible.

The RadioPopper RPCube, used in conjunction with a JrX Studio receiver, now allows you to control flash levels remotely on your speedlights. As long as your speedlight supports TTL, you will have the capability to adjust the flash power levels using from your JrX or PX transmitter. Time to break out the old flashes that have been collecting dust!

Please read this short manual entirely before installing or operating your RadioPopper RPCube. Proper installation is key to correct operation.

If you have any troubles along the way, feel free to call or email.

360.713.0776

support@radiopopper.com

Introduction

The RadioPopper RPCube is a component that makes your JrX Studio receiver that much greater! Whether you are using Canon, Nikon or other compatible flashes, we have a solution for you.

The RPCube is available in two versions: Canon or Nikon. It is easy to distinguish the difference by observing the pin contact layout.

In addition to give flash power control, it also provides you with a standard sync port. No need to scour the internet for a expensive, hard-to-find adapter to give your old flash a sync port.

Installation is easy. Simply slide your flash onto the hotshoe of the RPCube and lock it into place. Then, using a 3.5mm cable (provided with JrX receiver) plug one end into the RPCube and the other into the appropriate port on your JrX studio receiver. Make sure your flash is then set to TTL. That's it!

RadioPopper RPCube

Compatible Hardware:

RPCube Compatibility:

The RPCube will trigger most Canon, Nikon or other compatible flashes that have TTL capabilities. The sync connector accepts a standard 3.5mm mono or stereo male plug.

The RPCube is not compatible with the Nikon SB-900 due to it not supporting TTL. The SB-900 only uses iTTL.

RPCube Data Port:

In addition to the 3.5mm sync port, the RPCube also has a 'telephone' style Data Port (RJ-11). This port is available for future expandability and does not currently serve a purpose. *Do not plug anything into this port.*

PX/JrX Triggering:

Power levels on your flash can be adjusted from a JrX or PX transmitter.

Receiver Compatibility:

The RPCube is compatible with the JrX Studio and Basic receiver. However, **only** the JrX Studio receiver will allow flash power levels to be adjusted.

Specifications:

RPCube Specifications

Dimensions : 1.86" x 1.14" x 1.10" (47.3mm x 29.0mm x 28.0mm)

Weight: 0.9 ounces / 25 grams

Specifications and Warnings

WARNING!!! WARNING!!! WARNING!!!!

PLEASE read this section in detail for important warnings and notices.

DO NOT PLUG ANYTHING INTO THE RJ-11 DATA PORT (TELEPHONE CONNECTION)!

Although there is an RJ-11 data port available on the side of the RPCube, nothing should be plugged into it at this time. It is available for future expandability. Plugging the RJ-11 cable into the RPCube and your JrX studio receiver may cause adverse effects that potentially can damage your components.

DO NOT REMOVE OR TAMPER WITH THE CIRCUIT BOARD!

Some of the components inside your RPCube are especially susceptible to electrostatic shock (they're easily 'zapped' by static electricity) - just touching them could damage them. Your circuit board is grounded to the case - as long as it's not removed everything is safe. Breaking the glue seal and removing or tampering with your circuit board will promptly void your warranty.

YOUR RPCube CAN'T SWIM!! KEEP IT DRY!

The water resistant design of the RPCube goes a long way to keeping the wet stuff out. However, they are **not** "waterproof". Don't use them outside in the rain, to photograph objects under water, or in any other environment that may allow water to enter the physical enclosure or battery area.

If you dunk it, it may be too late. Should you do manage to expose a RadioPopper to anything wet, remove the batteries as quickly as possible and allow it 24 hours to dry. You may find it has come back to life. Allowing anything wet inside the case of your RPCube will void the warranty.

CONTACT US IF YOU GET CONFUSED!

You're a valued customer and we really do care about you. (And not in that automated "your call is very important to us but we're going to leave you on hold for an hour anyway" customer service recording sort of way). Seriously, if you've got questions, we're going to do everything possible to take care of you as quickly and as personally as possible. The phone number is on our website and you can always email us at support@radiopopper.com

RadioPopper RPCube

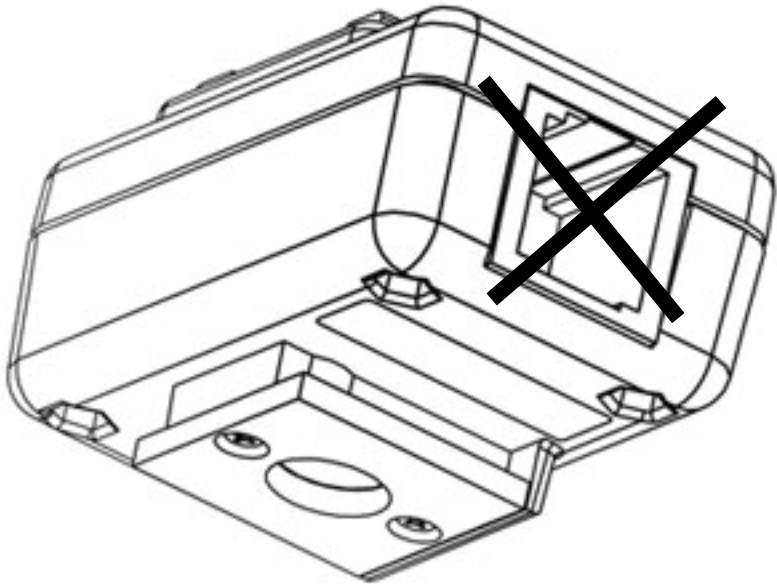
Installation: RadioPopper RPCube

- 1) With your TTL capable flash turned off, slide the RPCube onto the hotshoe of the flash.
- 2) Ensure your JrX receiver is turned off. Using a 3.5mm cable, plug it into your RPCube and JrX studio receiver.
- 3) Turn on your flash and set it to TTL.
- 4) Finally, turn on your JrX studio receiver.

Depending on the flash being used, the flash will require it to be set to either Slave/Remote or no designation. It may still trigger in other modes, but you will not have flash power control available.

You are now set and have just added the ability to control your speedlight's flash power using a JrX studio receiver. You may control the power settings from your JrX or PX transmitter.

Note: Although your flash is setup in TTL mode, you are unable to utilize TTL while using a JrX receiver.

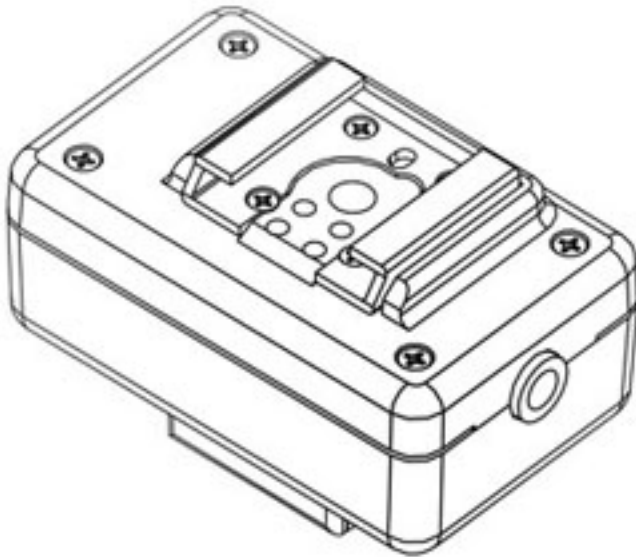


DO NOT USE THE RJ-11 PORT

Although we do have an RJ-11 (phone cable) port available on the RPCube, this currently does not serve a function. It was implemented for future expandability.

Warning!!!

This port should not at any time be used. Connecting an RJ-11 cable and 3.5mm sync cable into the RPCube may create a circuit and damage the RPCube.



The RPCube references a JrX receiver via the 3.5mm (1/8th inch) port on the side. This is the only port that should be used. 3.5mm to 3.5mm male cables are provided with the JrX receivers.

Note: Cables are not included with purchase of the RPCube. You may order a cable kit online at <http://shop.radiopopper.com/radiopopperjrXsystem.aspx>

There are two ways that you may trigger and adjust power levels on your JrX Studio receiver:

JrX Transmitter

EZset Strobe – EZset Strobe enables the ability to adjust the power levels of TTL / “Dedicated” flashes compatible with Canon or Nikon Cameras. The RPCube Canon is required for Canon compatible strobes and the RPCube Nikon is required for Nikon compatible strobes. Use a 3.5mm stereo cable to connect the sync connector of the JrX Receiver to the matching 3.5mm jack provided on the RPCube.

After setting the appropriate option switches (see option switches section in JrX manual), the three dials on the side of a JrX transmitter can control the output power of up to three groups of strobes. Note that EZset Strobe can control roughly 8 stops of flash power. Each 1/8th turn of the dial on the JrX Transmitter will represent 1 stop of flash power. Note that due to the wide variety of flashes available, each 1/8th turn may be slightly greater or slightly less than 1 stop of flash power.

The EZset Strobe function has been approximately calibrated for stop accurate light output from a Nikon SB-800 Speed Light. Though smaller or larger strobes may put out more or less power, a 1/8 turn of the dial will still roughly equal one stop of power adjustment regardless of the make, model, or size of strobe used.

PX Transmitter

Group Power Levels (G1, G2, G3)

The Group Power Level setting allows you to manually and remotely control the power output level of various other compatible devices.

The three groups may be adjusted independently. To see what the current setting is without changing it, tap the “X” button one time. To increment the level up, press and hold the “X” button. To reduce the level, press the “P” button while holding the “X” button and the numbers will count down in reverse. It is recommended to use two hands or both thumbs for this operation.

The level goes from 00 to 32 and does not automatically loop. A zero level “00” will *disable* that particular group from activating at all. This makes it easy to remotely turn entire banks of studio lights on and off. Level 01 is minimum, 32 is the maximum level of your device.

Each time the level ticks up or down, the radio transmitter sends a quick transmission with the new levels. All remote controlled equipment on the current radio channel is instantly set with the new values.

Refer to the PX manual for additional information.

RPCube Trouble Shooting

We have put much consideration into the design and operation of the RPCube. We are confident you will experience simple and worry free operation. Please refer to this section if you do experience any trouble while operating your RPCube.

Flash power scaling is incorrect with adjustments from transmitter

If using the test button on the JrX transmitter and modifying flash levels remotely, allow the JrX Studio receiver some time to make the changes before triggering. The Jrx receiver can miss instructions if it is not done communicating battery levels. This is a scenario you will only find during testing and not in normal shooting scenarios.

The RPCube does not work with the Nikon SB-900

The RPCube is not compatible with the Nikon SB-900 due to it not supporting TTL. The SB-900 only uses iTTL specifications.

Limited Warranty

LIMITED WARRANTY

The Limited Warranty set forth below is given by Leap Devices LLC (hereafter “Leap”) in the United States with respect to the RadioPopper RPCube packaged with this Limited Warranty and identified by model number within this Limited Warranty (each a “Product”) when purchased and used in the United States or in Canada.

This Limited Warranty is only effective upon presentation of this warranty card and proof of purchase.

A Product, when delivered to you in new condition in its original container at the point of its initial retail sale, is warranted against defects in materials or workmanship as follows: for a period of one (1) year from the date of original purchase, defective parts or a defective Product returned to Leap or its authorized service providers, and proven to be defective upon inspection, will be repaired with new or comparable rebuilt parts or exchanged for a refurbished Product, as determined by Leap or the authorized service provider, in their sole discretion. Replaced parts and exchanged Products will become the property of Leap.

When returning a Product for warranty service, the shipping charges must be prepaid and the Product should be shipped in its original container, or an equivalent, properly packaged container to withstand the hazards of shipment and fully insured. A copy of this warranty card and proof of purchase should be enclosed, as well as a description of the problem. Repairs will be made and the Product will be returned, shipped at NO CHARGE, within the country of repair. The Product must be received for warranty service by Leap before the expiration of this Limited Warranty.

This warranty only covers defective materials or workmanship encountered in normal use and service of a Product and does not apply in the following cases:

- (a) If a circuit board is removed from the plastic enclosure for any reason or if the original factory glue seal between the circuit board and plastic enclosure is disturbed in any way. Tampering with or removing the circuit board from the enclosure VOIDs this warranty.
- (b) Loss or damage due to neglect and/or abuse causing deterioration, mishandling, accident or failure to follow operating instructions including but not limited to.
- (c) If a Product is defective as a result of damage due to water or other liquid, or any environmental conditions.
- (d) Defective materials or workmanship where the defect is due to a Product having been serviced or modified by other than Leap or a Leap authorized service provider.
- (e) Malfunction resulting from the use of accessories, attachments, supplies, parts or devices that do not conform to Leap specifications.
- (f) Damage resulting during shipment. (Claim must be presented to and examined by the shipper).
- (g) Damage or service resulting from modifications or alternations to a Product in any way (including any alteration or removal if its serial number or identification marks).

NO IMPLIED WARRANTY, INCLUDING ANY IMPLIED WARRANTY OF MERCHANTABILITY OR FITNESS FOR A PARTICULAR PURPOSE, APPLIES TO A PRODUCT AFTER THE APPLICABLE PERIOD OF THE EXPRESS LIMITED WARRANTY STATED ABOVE, AND NO OTHER EXPRESS WARRANTY OR GUARANTY, EXCEPT AS MENTIONED ABOVE, GIVEN BY ANY PERSON OR ENTITY WITH RESPECT TO A PRODUCT SHALL BIND LEAP (SOME STATES AND PROVINCES DO NOT ALLOW LIMITATIONS ON HOW LONG AN IMPLIED WARRANTY LASTS, SO THE ABOVE LIMITATION MAY NOT APPLY TO YOU). LEAP SHALL NOT BE LIABLE FOR LOSS OF REVENUES OR PROFITS, INCONVENIENCE, EXPENSE FOR SUBSTITUTE EQUIPMENT OR SERVICE, STORAGE CHARGES, LOSS OR CORRUPTION OF DATA, OR ANY OTHER SPECIAL, INCIDENTAL OR CONSEQUENTIAL DAMAGES (INCLUDING, WITHOUT LIMITATION, ANY LOSS OF FILM OR DIGITAL IMAGE FILES) CAUSED BY THE USE OR MISUSES OF, OR INABILITY TO USE, A PRODUCT, REGARDLESS OF THE LEGAL THEORY ON WHICH THE CLAIM IS BASED, AND EVEN IF LEAP HAS BEEN ADVISED OF THE POSSIBILITY OF SUCH DAMAGES. IN NO EVENT SHALL RECOVERY OF ANY KIND AGAINST LEAP BE GREATER IN AMOUNT THAN THE PURCHASE PRICE OF THE PRODUCT SOLD BY LEAP AND CAUSING THE ALLGED DAMAGE. WITHOUT LIMITING THE FOREGOING, YOU ASSUME ALL RISK AND LIABILITY FOR LOSS, DAMAGE OR INJURY TO YOU AND YOUR PROPERTY AND TO OTHERS AND THEIR PROPERTY ARISING OUT OF THE USE OR MISUSE OF, OR INABILITY TO USE, THE PRODUCT NOT CAUSED SOLELY AND DIRECTLY BY THE NEGLIGENCE OF LEAP (SOME STATES AND PROVINCES DO NOT ALLOW THE EXCLUSION OR LIMITATION OF INCIDENTAL OR CONSEQUENTIAL DAMAGES, SO THE ABOVE EXCLUSION OR LIMITATION MAY NOT APPLY TO YOU). THIS LIMITED WARRANTY SHALL NOT EXTEND TO ANYONE OTHER THAN THE ORIGINAL PURCHASER OF A PRODUCT, OR THE PERSON FOR WHOM IT WAS PURCHASED AS A GIFT AND STATES YOUR EXCLUSIVE REMEDY.

Leap Devices LLC, 501 SE Columbia Shores Blvd. Suite 100, Vancouver, WA 98661

